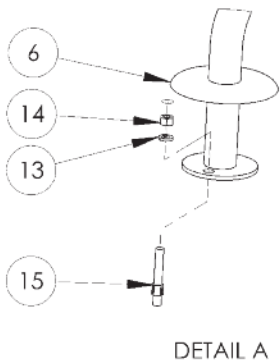
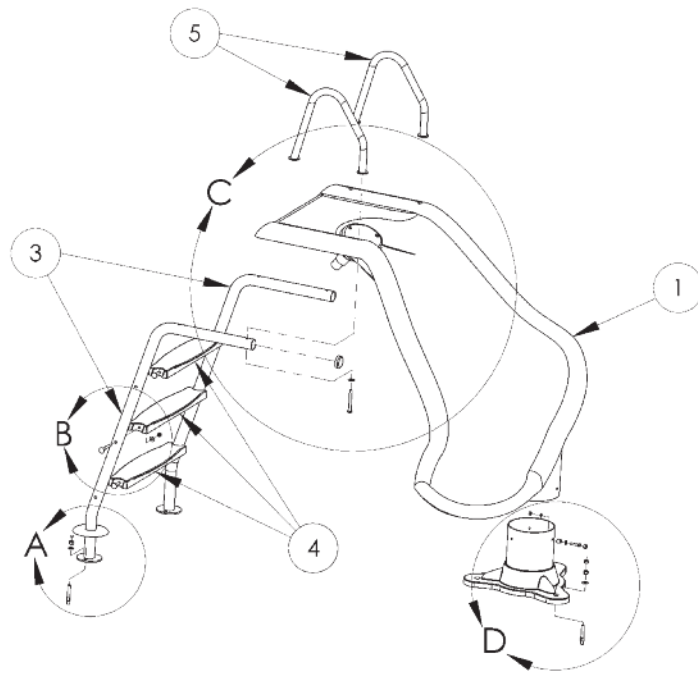
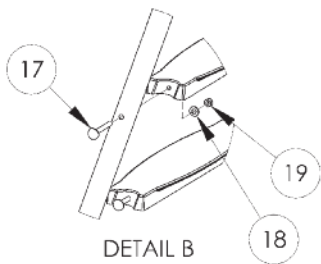
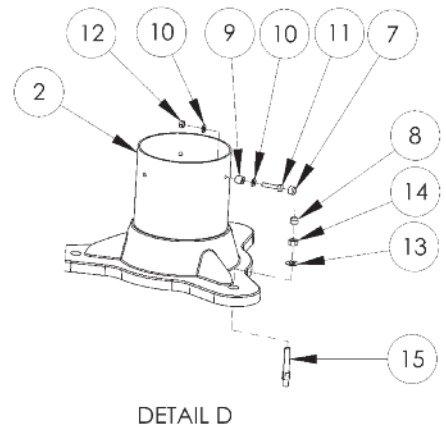
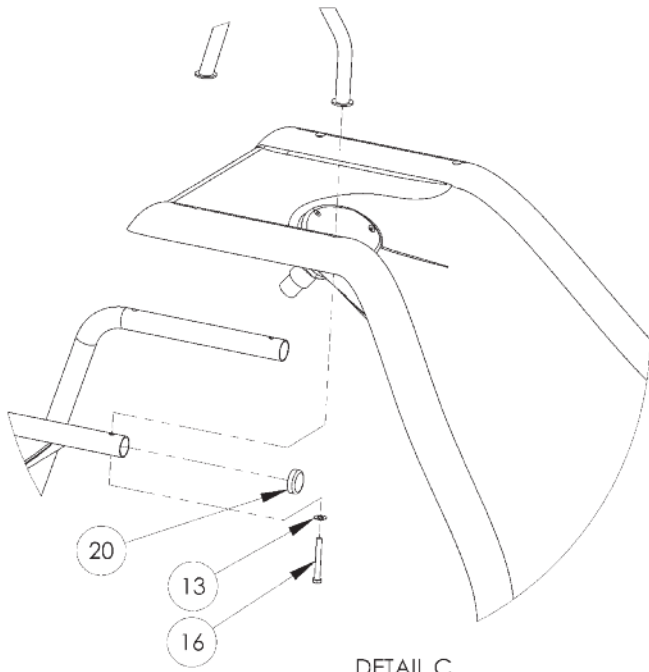


ZOOMERANG™ SLIDE (ZM-CR-SS):



ZOOMERANG™ SLIDE (ZM-CR-SS):

ALL CHART INFORMATION BELOW CORRESPONDS WITH THE DRAWING ON THE PREVIOUS PAGE.



DRAWING REPRESENTS THE FOLLOWING PART NUMBERS:
ZM-CR-SS

ZM-H1-SS: Ladder Assembly; Flume to Ladder; Ladder to Deck
ZM-H2-SS: Base to Flume; Base to Deck

ITEM #	COMPONENT	DESCRIPTION	KITS – QTY. COUNTS			
			ZM-H1-SS	ZM-H2-SS	ZM	ZM02
1	ZM-R	ZOOMERANG RUNWAY			1	
2	ZM-B	FLUME SUPPORT BASE			1	
3	ZM-Ladder	ZOOMERANG LADDER			2	
4	ZM-T	ZOOMERANG LADDER TREADS			3	
5	ZM-HR	ZOOMERANG HANDRAILS			2	
6	LADDER ESCUTCHEONS	LADDER ESCUTCHEONS			2	
7	H-.463 X .310 CAP	GRAY PROTECTIVE CAP		3		
8	H-.562 X .390 CAP	GRAY PROTECTIVE CAP		3		
9	H-NYLON BUSHING	.500 OD X.257 ID NYLON BUSHING		3		
10	H-SS 1/4 FLAT W	1/4" FLAT WASHER S.S.		6		
11	H-SS 1/4 H C/S	1/4" X 1-1/4" HEX HEAD BOLT S.S.		3		
12	H-SS 1/4 H NUT	1/4" FINISH HEX NUT S.S.		3		
13	H-SS 3/8 FLT WASHER	3/8" X 1" FLAT WASHER S.S.	4			
14	H-SS 3/8 F NUT	3/8" FINISH NUT S.S.		1		
15	H-SS 3/8 WEDGE	3/8" X 2-3/4" WEDGE ANCHOR W/NUT & WASHER S.S.	4	3		
16	H-SS 3/8 X 3 TAP	3/8" X 3" HEX HEAD TAP BOLT S.S.	4			
17	H-SS 5/16 BOLT	5/16 X 2 3/4" LADDER BOLT S.S.	6			
18	H-SS 5/16 F WAS	5/16" SAE FLAT WASHER S.S.	6			
19	H-SS 5/16 H NUT	5/16" HEX FINISH NUT S.S.	6			
20	H-VINYL NUT CAP	1-5/8" X 1/2" WHITE VINYL CAP	2			
21	ZM-RA	ZOOMERANG RETURN ADAPTER				1*

* not pictured

NOTES:

- Zoomerang available in white only.
- Zoomerang available in right turn only.
- Protective Caps for bolts available in Gray only.

Check your local electrical code for bonding requirements.