

WILD RIDE™ SLIDE:

RESIDENTIAL SLIDES



FEATURES:

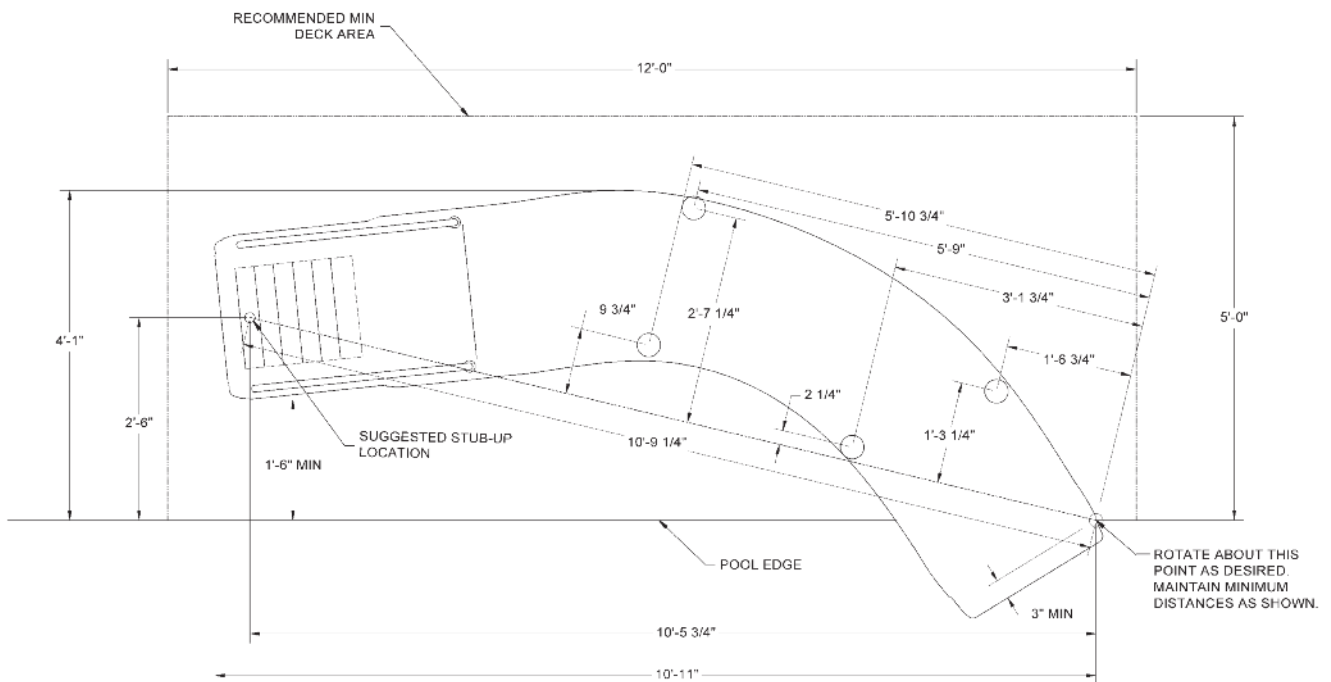
- Durable & Long Lasting Acrylic With Fiberglass Reinforcements
- Available in White, Tan, Gray & Blue
- Available in Right or Left Turn
- 77.5" High at Seating Area
- Flume Width = 21.5" (centerline)
- Flume Depth = 10.5"
- Zoom-Flume™ Water Supply System
- 15-30 GPM (Actual GPM rating will vary depending on specific pool size and pool equipment used.)
- Stainless Steel Rails, Legs & Hardware
- Exclusive Stainless Steel Deck Flanges
- Optional Powder Coated or Thermo Plastic Coated Rails & Legs
- Fully Molded Steps Provide Safe Access to Slide Flume
- Weight Limit = 250 Lbs.

WILD RIDE™ - RIGHT

DESCRIPTION	PART NUMBER
Wild Ride Slide - right - white	Part #WRS-CR-SS
Wild Ride Slide - right - blue	Part #WRS-CRB-SS
Wild Ride Slide - right - tan	Part #WRS-CRT-SS
Wild Ride Slide - right - gray	Part #WRS-CRG-SS

comes w/ss hardware

Wild Ride™ Footprint for RIGHT Turn Slide



WILD RIDE™ SLIDE:



FEATURES:

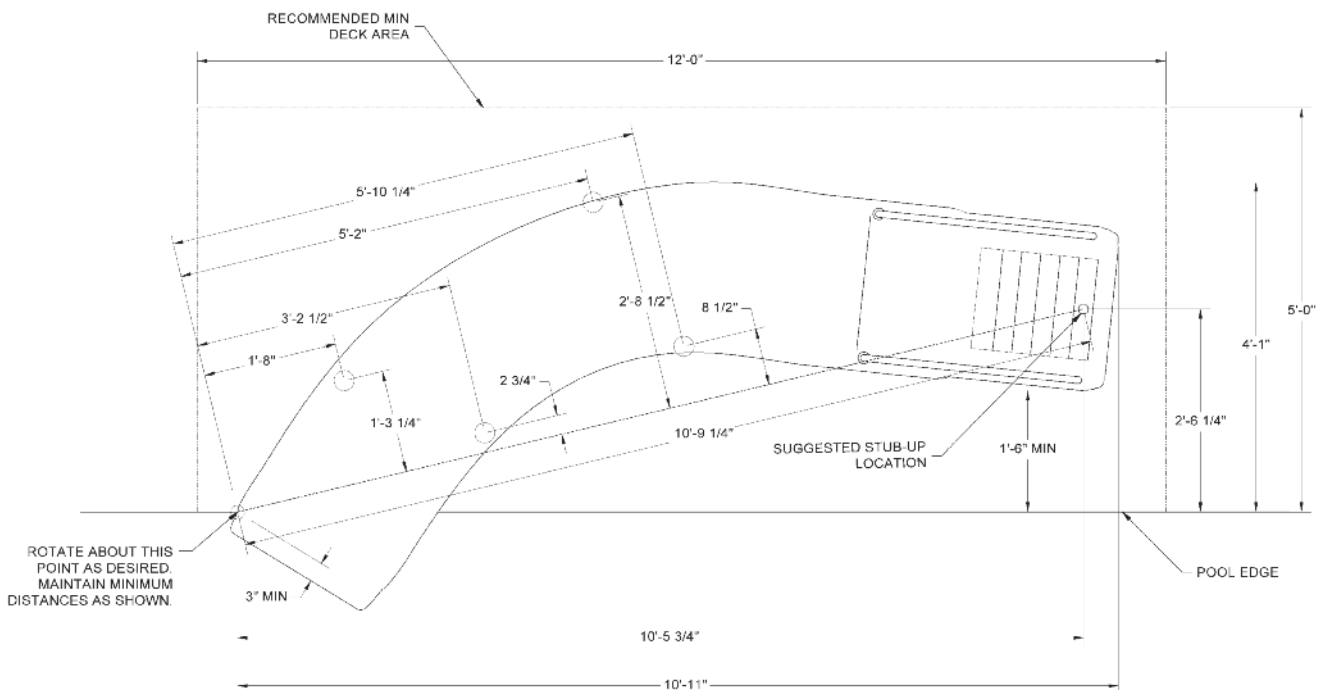
- Durable & Long Lasting Acrylic With Fiberglass Reinforcements
- Available in White, Tan, Gray & Blue
- Available in Right or Left Turn
- 77.5" High at Seating Area
- Flume Width = 21.5" (centerline)
- Flume Depth = 10.5"
- Zoom-Flume™ Water Supply System
- 15-30 GPM (Actual GPM rating will vary depending on specific pool size and pool equipment used.)
- Stainless Steel Rails, Legs & Hardware
- Exclusive Stainless Steel Deck Flanges
- Optional Powder Coated or Thermo Plastic Coated Rails & Legs
- Fully Molded Steps Provide Safe Access to Slide Flume
- Weight Limit = 250 Lbs.

WILD RIDE™ - LEFT

DESCRIPTION	PART NUMBER
Wild Ride Slide - left - white	Part #WRS-CL-SS
Wild Ride Slide - left - blue	Part #WRS-CLB-SS
Wild Ride Slide - left - tan	Part #WRS-CLT-SS
Wild Ride Slide - left - gray	Part #WRS-CLG-SS

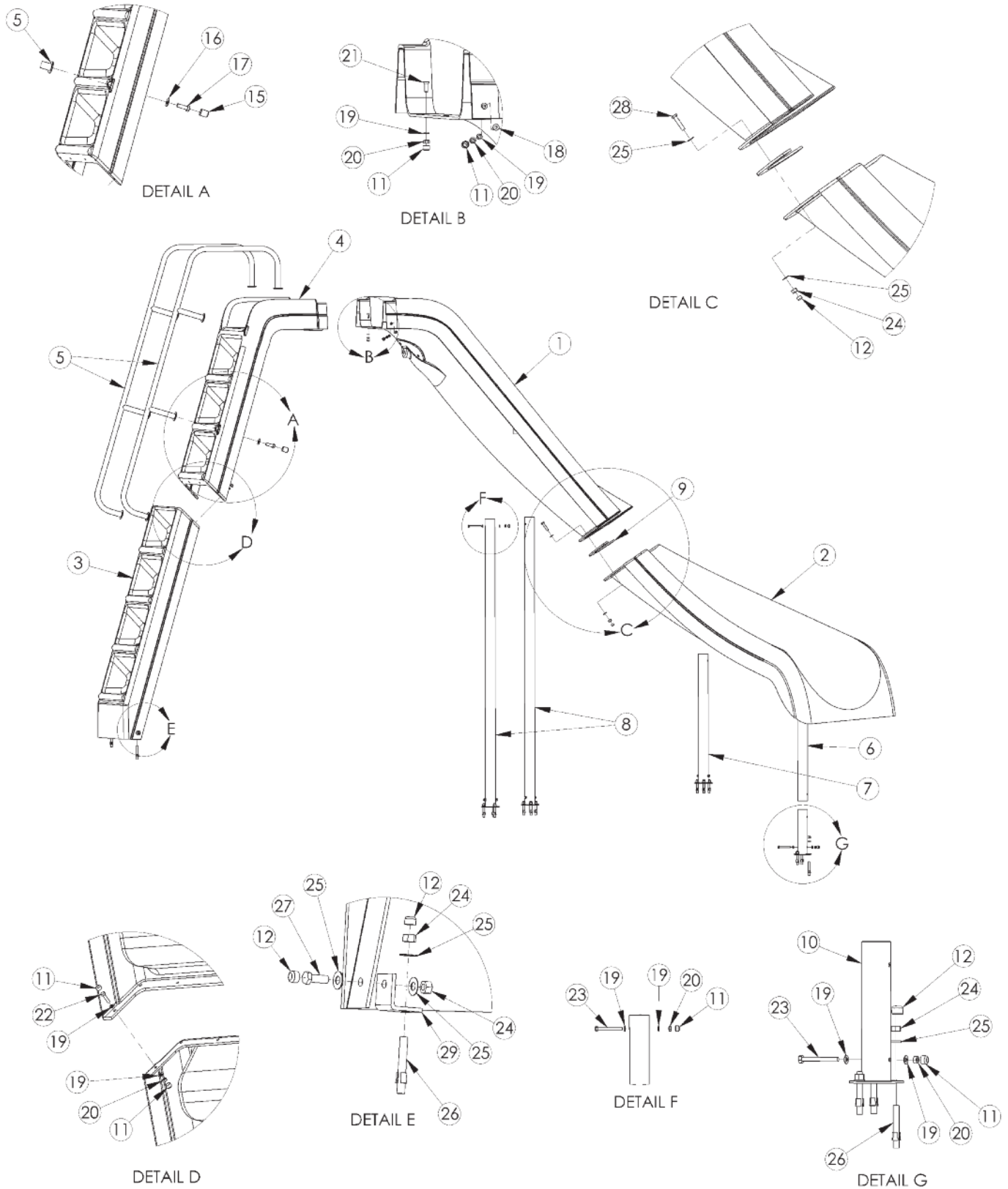
comes w/ss hardware

Wild Ride™ Footprint for LEFT Turn Slide



RESIDENTIAL SLIDES

WILD RIDE™ SLIDE (WRS-CR-SS):



WILD RIDE™ SLIDE (WRS-CR-SS):

ALL CHART INFORMATION BELOW CORRESPONDS WITH THE DRAWING ON THE PREVIOUS PAGE.



- SH-101: Handrails; Step to Step
- SH-102: Flume to Flume; Leg to Flume
- SH-103: Step to Deck
- SH-104: Protective Caps
- SH-106: Deck Anchors to Legs; Deck Anchor to Deck
- SH-107: Deck Anchor
- SH-108: Step to Flume

DRAWING REPRESENTS THE FOLLOWING PART NUMBERS:	
WRS-CL-SS	WRS-CR-SS (shown)

RESIDENTIAL SLIDES

ITEM #	COMPONENT	DESCRIPTION	HARDWARE KITS/PARTS KITS – QTY. COUNTS									
			SH-101	SH-102	SH-103	SH-104	SH-106	SH-107	SH-108	HOSE	WRS	
1	WRS-URUN-W-R	WILD RIDE UPPER RUNWAY										1
2	WRS-LRUN-W-R	WILD RIDE LOWER RUNWAY										1
3	WRS-LSTEP-W	WILD RIDE STEP LOWER SECTION										1
4	WRS-USTEP-W	WILD RIDE STEP UPPER SECTION										1
5	WRS-HD RAIL	WILD RIDE HANDRAIL										2
6	WW-24-1/2"-LEG	LEG, 24-1/2"										1
7	WW-22"-LEG	LEG, 22"										1
8	WW-54-1/2"-LEG	LEG, 54-1/2"										2
9	H-WRS/WW GASKET	GASKET, CLOSED CELL NEOPRENE SPONGE										1
10	DECK ANCHOR	9" STAINLESS STEEL DECK ANCHOR							1**			
11	H-.463 X .310 CAP	.463 X .310 PROTECTIVE CAP				25	1					
12	H-.562 X .390 CAP	.562 X .390 PROTECTIVE CAP				16	3					
13	H-1 BALL VALVE	1" BALL VALVE-SLIP WHITE										1*
14	H-1 SPA HOSE	10 FEET OF 1" PVC FLEX PIPE										1*
15	H-1 WHT CAP	.750 X 1" GRAY NUT CAP				6						
16	H-SS 1/2 F WAS	1/2" FLAT WASHER S.S.	8									
17	H-SS 1/2-13 BOL	1/2" X 1-1/2" HEX HEAD BOLT S.S.	8									
18	H-SS 1/4 FL HEAD	1/4-20 X 3/4" SOC FLAT C/S SS								2		
19	H-SS 1/4 FLAT W	1/4" FLAT WASHER SS 18.8	17	8			2					
20	H-SS 1/4 H NUT	1/4" HEX NUT SS	11	4			1					
21	H-SS 1/4 X 1-1/4 F	1/4-20 X 1-1/4" SOC FLAT C/S 1								3		
22	H-SS 1/4-20 X 1	1/4" X 1" HEX HEAD BOLT S.S.	6									
23	H-SS 1/4X2-1/4H	1/4" X 2-1/4" HEX HEAD BOLT S.S.		4			1					
24	H-SS 3/8 F NUT	3/8" HEX NUT SS		6	2		3					
25	H-SS 3/8 FLT WASHER	3/8" X 1" FLAT WASHER S.S.		12	4		3					
26	H-SS 3/8 WEDGE	3/8 X 2-3/4 WEDGE ANCHOR ST.ST			2		3					
27	H-SS 3/8X1 H B	3/8" X 1" HEX HEAD BOLT S.S.			2							
28	H-SS 3/8X1-3/4	3/8" X 1-3/4" HEX HEAD BOLT S.S.		6								
29	L-BRACKET	L-BRACKET, LADDER ANCHOR, WHITE								2		

* not pictured

** Comes with one (1) deck anchor and one (1) SH-106 kit. Must order one for each leg of the slide (4 total). 4 are included when ordering a complete slide.

NOTES:

- Wild Ride Slides available in both right and left turns.
- Wild Ride slides available with optional custom powder coated or thermo plastic coated handrails and legs.
- Protective Caps for bolts available in Gray only.

Check your local electrical code for bonding requirements.