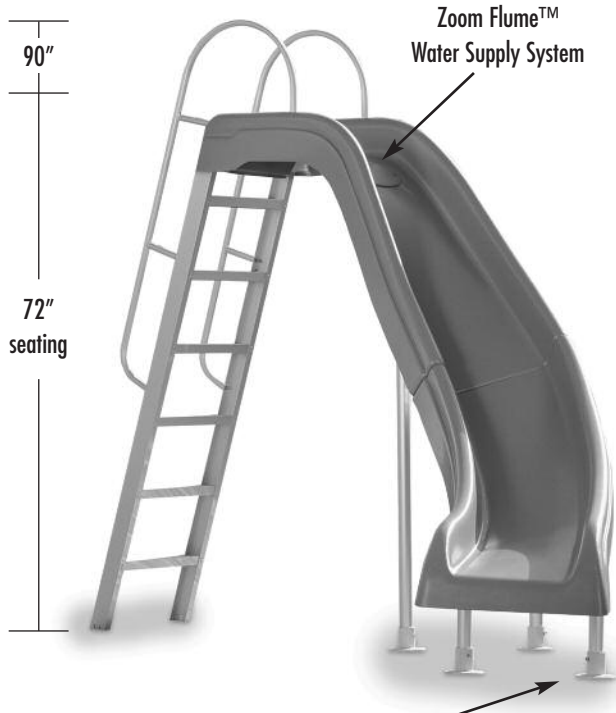


CITY 2™ SLIDE:



Optional Deck Mounting Flanges (Sold Separately)

FEATURES:

- Durable & Long Lasting Acrylic Construction
- Available in White, Blue, Tan & Gray
- Available in Right or Left Turn
- 72" High at Seating Area
- Flume Width = 17" (centerline)
- Flume Depth = 5"
- Extruded Aluminum Ladder, Handrails & Legs
- Zoom-Flume™ Water Supply System
- 15-30 GPM (Actual GPM rating will vary depending on specific pool size and pool equipment used.)
- Optional Deck Mounting Flanges Available (must order separately)*
- Weight Limit = 225 Lbs.
- 1 Year Warranty

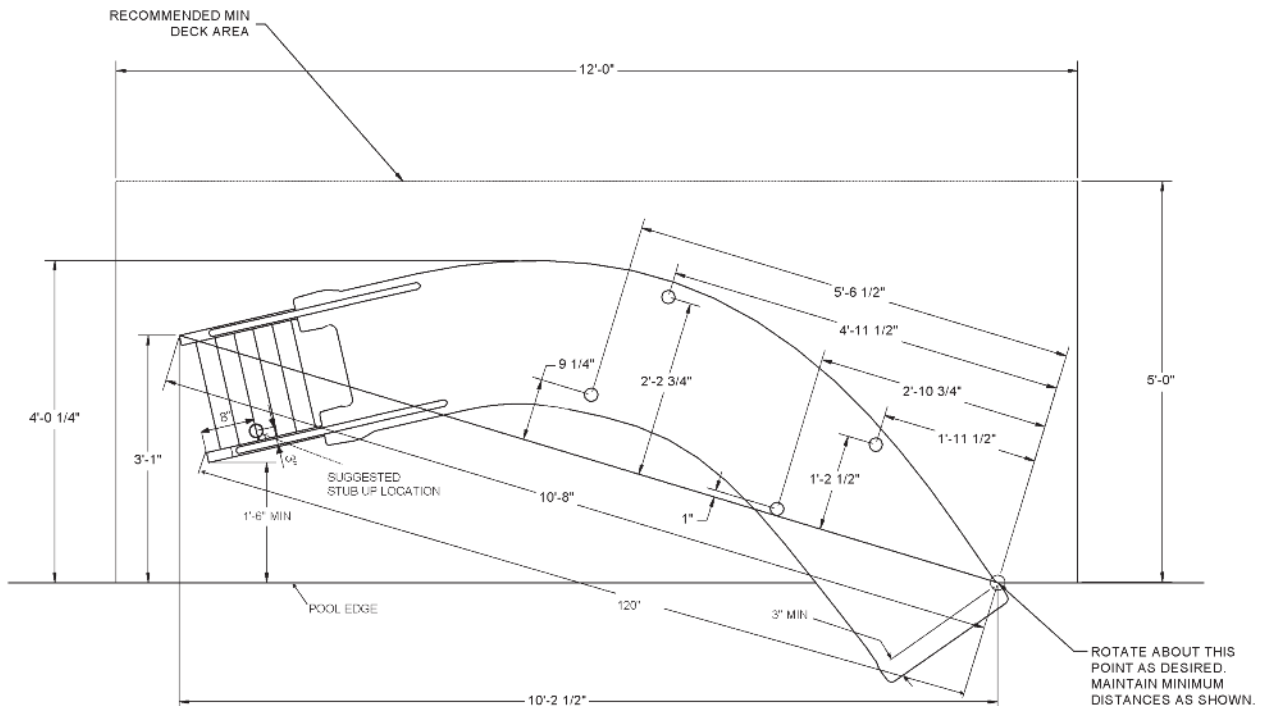
CITY 2™ SLIDE - RIGHT

DESCRIPTION	PART NUMBER
City 2 Slide - right - white	Part #CITY2-CRW
City 2 Slide - right - blue	Part #CITY2-CRB
City 2 Slide - right - tan	Part #CITY2-CRT
City 2 Slide - right - gray	Part #CITY2-CRG

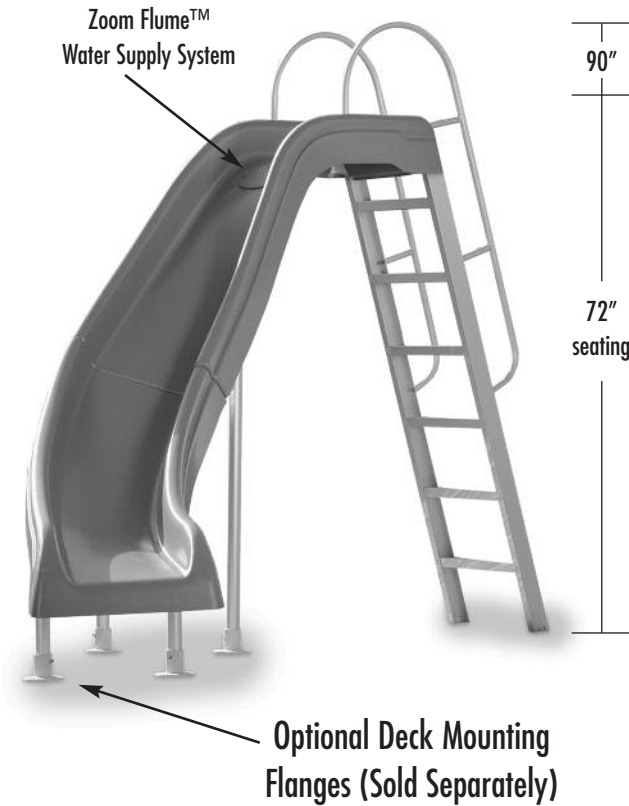
comes w/ss hardware

*optional deck mounting flanges CITY-DECK ANCH (1 each)

City 2™ Slide Footprint for RIGHT Turn Slide



CITY 2™ SLIDE:



FEATURES:

- Durable & Long Lasting Acrylic Construction
- Available in White, Blue, Tan & Gray
- Available in Right or Left Turn
- 72" High at Seating Area
- Flume Width = 17" (centerline)
- Flume Depth = 5"
- Extruded Aluminum Ladder, Handrails & Legs
- Zoom-Flume™ Water Supply System
- 15-30 GPM (Actual GPM rating will vary depending on specific pool size and pool equipment used.)
- Optional Deck Mounting Flanges Available (*must order separately*)*
- Weight Limit = 225 Lbs.
- 1 Year Warranty

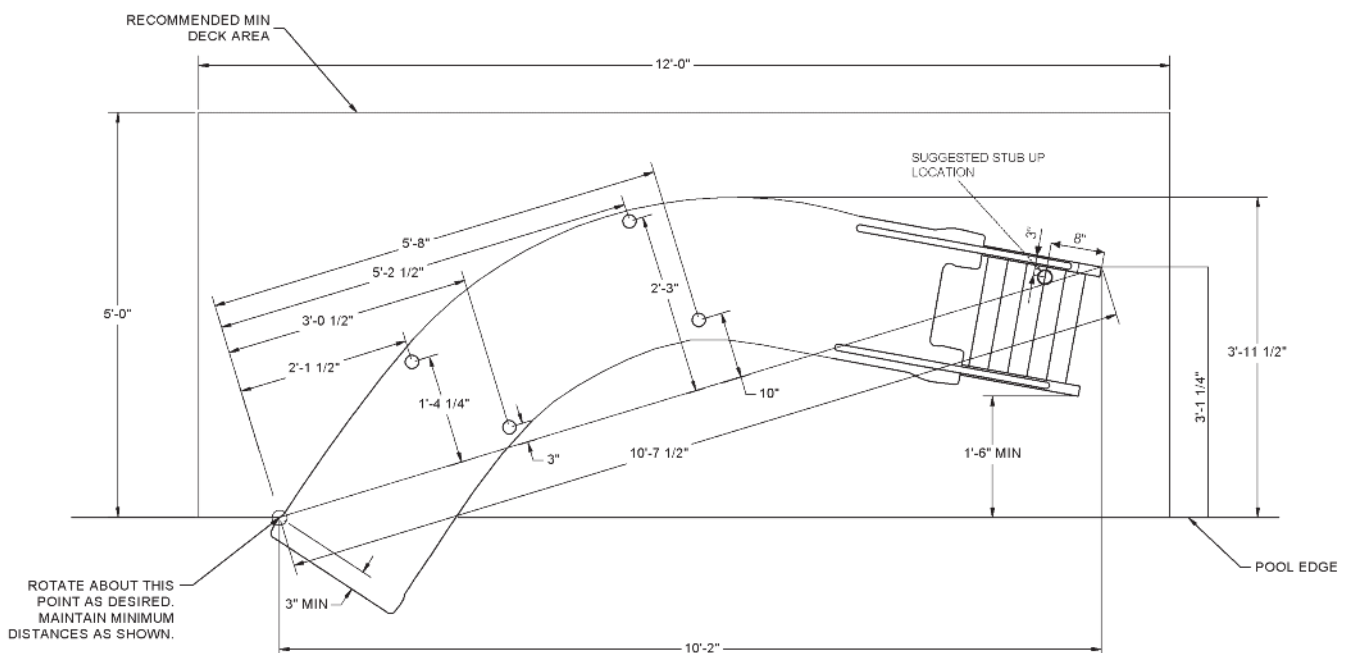
CITY 2™ SLIDE - LEFT

DESCRIPTION	PART NUMBER
City Slide - left - white	Part #CITY2-CLW
City Slide - left - blue	Part #CITY2-CLB
City Slide - left - tan	Part #CITY2-CLT
City Slide - left - gray	Part #CITY2-CLG

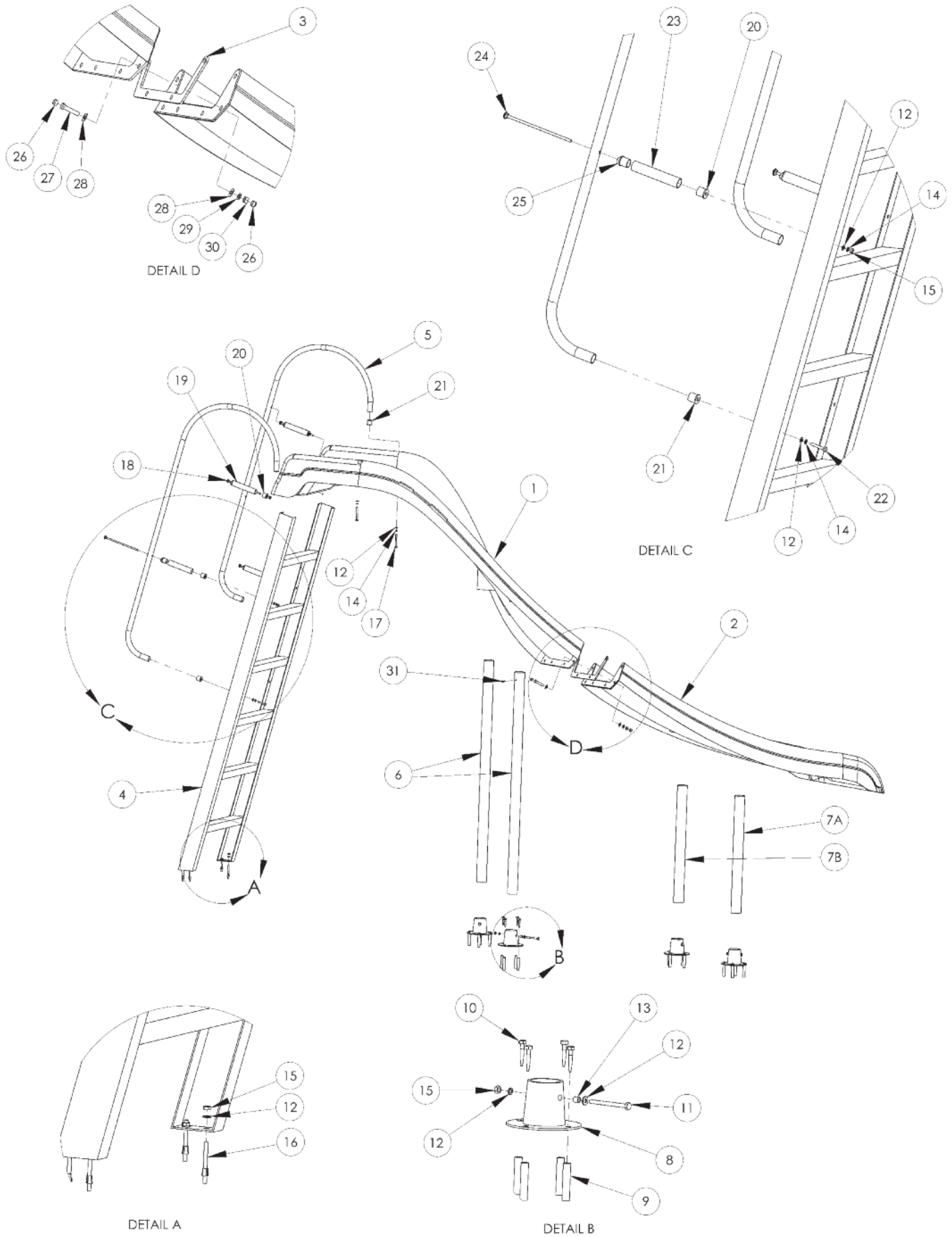
comes w/ss hardware

*optional deck mounting flanges CITY-DECK ANCH (1 each)

City 2™ Slide Footprint for LEFT Turn Slide



CITY 2™ SLIDE (CITY2-CLW):



CITY 2™ SLIDE (CITY2-CLW):

ALL CHART INFORMATION BELOW CORRESPONDS WITH THE DRAWING ON THE PREVIOUS PAGE.



DRAWING REPRESENTS THE FOLLOWING PART NUMBERS:
CITY2-CL (shown)
CITY2-CR

* City Slide Deck Anchors are Sold Separately (4 required for a complete City Slide install)

CS-101-SS: Handrails; Ladder to Deck; Leg to Flume
CS-102-SS: Flume to Flume

ITEM #	COMPONENT	DESCRIPTION	KITS – QTY. COUNTS				
			CS-101-SS	CS-102-SS	CITY2-PRTS PACK	CITY-DECK ANCH (4)	CITY 2
1	CITY2-URUN	City 2 Upper Runway					1
2	CITY2-LRUN	City 2 Lower Runway					1
3	H-C2 L GASKET or H-C2 R GASKET	Gasket (either right turn or left turn gasket)					1
4	CITY-LADDER	Aluminum Ladder Assembly			1		
5	CITY HANDRAIL	Aluminum Slide Handrails			2		
6	H-45.500 LEG	45.50" Aluminum Slide Leg			2		
7A	H-23.250 LEG	23.25" Aluminum Slide Leg			1		
7B	H-20.500 LEG	20.50" Aluminum Slide Leg			1		
8	CITY-DECK ANCH	Deck Anchor (optional item; ordered separately)				1*	
9		5/16" Concrete Insert Lag Shield				4*	
10		5/16" x 2-1/2" Hex Lag Screw S.S.				4*	
11		1/4" x 3" Hex Bolt S.S.				1*	
12		1/4" Flat Washer S.S.	8			4*	
13		1/4" x 3/8" Aluminum Bushing				1*	
14		1/4" Lock Washer S.S.	8				
15		1/4" Finish Nut S.S.	8			1*	
16		1/4" x 2-1/4" Wedge Anchor S.S. w/Washer	4				
17		1/4" x 2-1/4" Tap Bolt S.S.	2				
18		1/4" x 12" Carriage Bolt	2				
19		7-1/2" Aluminum Spacer	2				
20		Round to Flat Nylon Connector	4				
21		Round to Flat Nylon Connector w/Wedge	4				
22		1/4" x 1-1/4" Machine Bolt S.S.	2				
23		5-1/2" Aluminum Spacer	2				
24		1/4" x 7-1/2" Carriage Bolt S.S.	2				
25		Round to Round Nylon Connector	4				
26	H-.562 X .390 CAP	Gray Protective Cap		12			
27	H-SS 3/8 X 1-3/4	3/8" x 1-3/4" Hex Head Bolt S.S.		6			
28	H-SS 3/8 FLT WASHER	3/8" x 1" Flat Washer S.S.		12			
29	H-SS 3/8 LOC WASHER	3/8" Lock Washer S.S.		6			
30	H-SS 3/8 F NUT	3/8" Finish Nut S.S.		6			
31		#14 x 3/4" S.S. Pan Head Screw	8				
32	H-1/2 SPA HOSE	1/2" Spa Hose - 10 ft			1**		
33	H-1/2 BALL VALVE	1/2" On/Off Ball Valve			1**		

* OPTIONAL - Deck Anchors are Sold Separately. Must order 1 for each slide leg for a total of 4. (Hardware included.)

** not pictured

NOTES:

City 2 Slides available in white, blue, tan and gray.

City 2 Slides available in both right and left turns.

Protective Caps for bolts available in Gray only.

Check your local electrical code for bonding requirements.